

Panasonic

minus
40 **EXTREME**
LOW AMBIENT COOLING



Low Ambient Ductless & Ducted Split Systems

[Commercial Series]

NEW

INVERTER



Your Best Choice Low Ambient Cooling Solution

Panasonic Low Ambient PAC products provide cooling in extreme outdoor ambient conditions down to -40°C.

- These units offer long pipe runs with state of the art refrigerant and control systems.
- Variable speed inverter compressors provide wide output capacities, making these systems the ideal choice for expanding electrical equipment rooms, as they will adjust to current and future load requirements.

New (Low Ambient Type)

minus 40 EXTREME
LOW AMBIENT COOLING

INVERTER
Wide Output Capacity Range



Capacity Control
Range Btu/h

4,100- 13,300

5,800 - 19,800

9,500 - 26,000

9,500 - 36,000

9,500 - 42,000

MODEL (System)	CS-E12NKUAW (L)	CS-E18NKUA (L)	26PEK2U6, 26PET2U6 26PEU2U6, 26PEF2U6	36PET2U6, 36PEU2U6, 36PEF2U6	42PET2U6, 42PEU2U6
New Wall Mounted ECONAVI (Optional)	 CS-E12NKUAW (L)	 CS-E18NKUA (L)	 S-26PK2U6	 CS-KE36NKU (L)	
New Ceiling Suspended ECONAVI (Optional)			 S-26PT2U6	 S-36PT2U6	 S-42PT2U6
New Ceiling Recessed ECONAVI (Optional)	 CS-E12RB4UW(L) *	 CS-E18RB4UW(L) *	 S-26PU2U6	 S-36PU2U6	 S-42PU2U6
New Concealed Duct ECONAVI (Optional)			 S-26PF2U6	 S-36PF2U6	
Outdoor	 CU-E12NKUA CU-E12RB4U (L) *	 CU-E18NKUA CU-E18RB4U (L) *	 U-26PE1U6	 U-36PE1U6 CU-KE36NKU (L)	 U-42PE1U6

Advanced Inverter Technology

Provides Optimum Performance While Reducing Energy Usage

Panasonic's inverter technology constantly adjusts its compressor rotation speed to provide maximum performance at all times. This extremely precise operation enables quick cooling or heating while reducing power consumption compared to conventional non-inverter units.

Reduces Electricity Consumption

Panasonic inverter air conditioners/heat pumps are designed to give you exceptional energy savings performance while ensuring optimum room air conditions at all times.

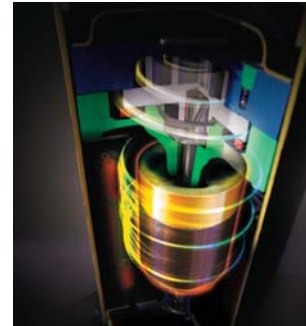
Constant Control

Precise temperature control with a wide power output range enables an inverter air conditioner to meet changing load requirements

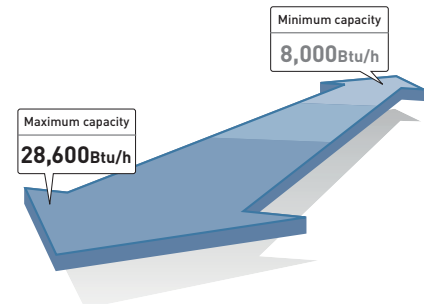
Future Expansion

Panasonic variable speed inverter compressors provide wide output capacities, making these systems the ideal choice for expanding electrical equipment rooms, as they will adjust to current and future load requirements.

INVERTER



■ Wider Output Power Range



(For 26PEF2U6 / At Heating)

Wall Mounted



NEW



CS-E12NKUAW (L)



Wired Controller



CS-E18NKUA (L)



Wired Controller



S-26PK2U6



Wired Controller

CS-KE36NKU (L)

Technical focus

- Closed discharge port when not in use
- Lighter and smaller units make installation easy
- Quiet operation
- Smooth and durable design
- Piping outlet in six directions
- Washable front panel
- Air distribution is automatically altered depending on the operational mode of the unit

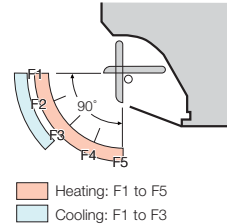
Washable front panel

The indoor unit's front panel can be easily removed and washed for trouble-free maintenance.



Air distribution is automatically adjusted depending on the operational mode of the unit

Air outlet angle is automatically adjusted for cooling and heating operation.



Concealed Duct Type



NEW

26PEF2U6



S-26PF2U6

36PEF2U6



S-36PF2U6



Wired Controller

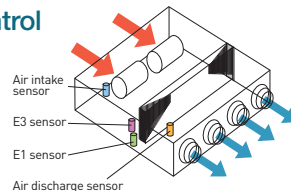
Technical focus

- Variable external static pressure control
- Industry-leading low sound levels from 25 dB(A)
- Built-in drain pump provides 27-1/2 ft lift
- Easy to install and maintain
- Configurable air temperature control

Discharge air temperature control

- Possible to control discharge air temperature for accurate room temperature control.

Before spec-in, please consult with an authorised Panasonic dealer.



Variable external static pressure control

Optimal airflow set-up is possible depending on ducting design and conditions.

For short ducting

Optimal Control by DC Motor

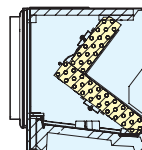
0.04We 0.6We

For long ducting or for usage with high efficiency filter

* Please refer to technical databook for detail.

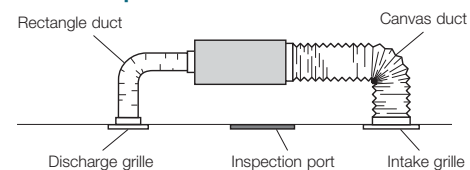
V-shaped heat exchanger

To improve heat exchange efficiency, an original V-shaped heat exchanger was developed incorporating a conventional high-efficiency slit fan and high-efficiency grooved heat transfer tubes. This increases the heat exchange surface area by about 80%.



Increases surface area by about 30 to 80%

System example



Ceiling Mounted



NEW



Wired Controller

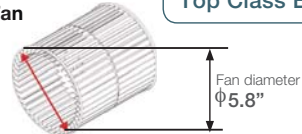
S-26PT2U6
S-36PT2U6
S-42PT2U6

New Sophisticated Round Design

Energy-Saving Technology Delivering Top-Class Efficiency

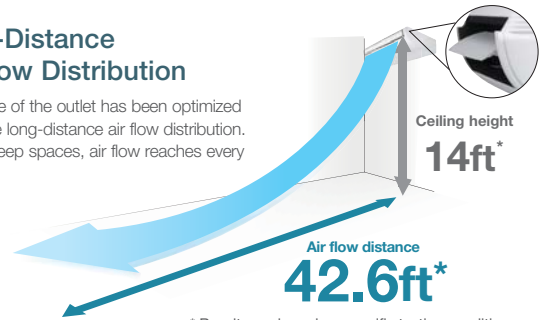
Large Diagonal
Air Flow Fan

Top Class Energy Saving



Long-Distance Air Flow Distribution

The shape of the outlet has been optimized to provide long-distance air flow distribution. Even in deep spaces, air flow reaches every corner



* Results are based on specific testing conditions

4-WAY Cassette



NEW



Wired Controller

CS-E12RB4UW(L) *
CS-E18RB4UW(L) *



Wired Controller

S-26PU2U6
S-36PU2U6
S-42PU2U6

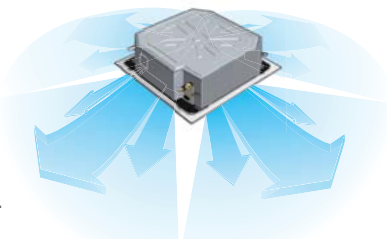
Technical focus

- Compact design
- Reduced sound levels (from previous models)
- DC fan motor for increased efficiency
- Powerful drain pump gives 33-1/2 ft lift
- Lightweight design
- Fresh air knockout
- Branch duct connection

Wide & Comfortable Airflow

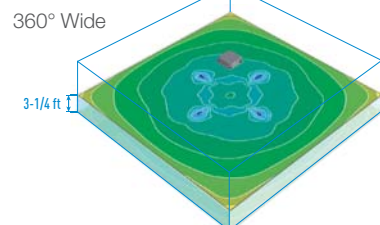
A proprietary design features wide-angle discharge outlets and flaps that are larger in the middle, featuring a shape that was selected based on numerical mechanics and testing of actual prototype units. Air coming out of the center of the discharge outlets travels farther. From the sides of each outlet, where the openings are larger, airflow spreads out to reach the corners of the room. Air is discharged across a wide area from the four sides of the unit. The curves on the room temperature distribution graph expand gently out through 360° in a circle centered on the indoor unit.

Quiet



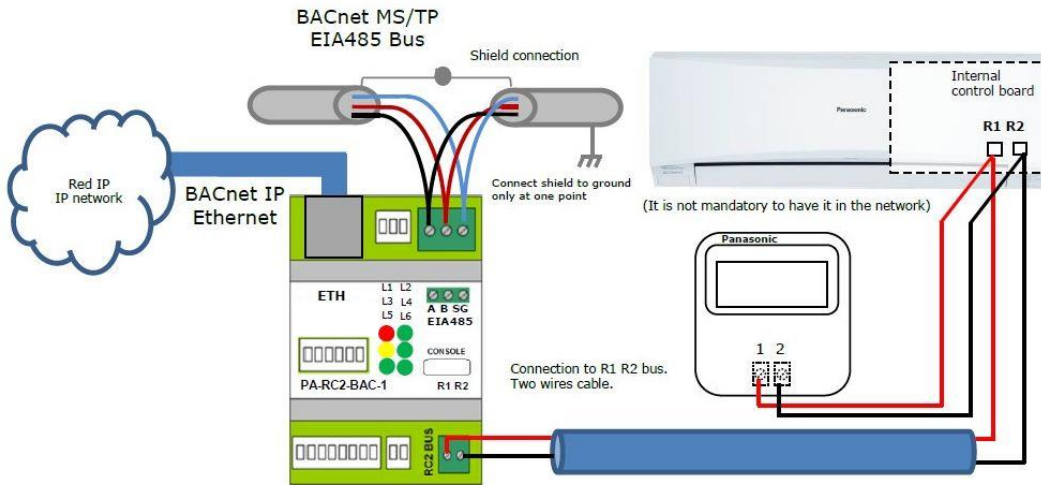
Temperature distribution by thermograph (cooling operation)

Simulation conditions:
P140 4-way ceiling-mounted cassette type in cooling mode
/ Floor area of 2.420 ft²
/ Ceiling height of 9.8 ft

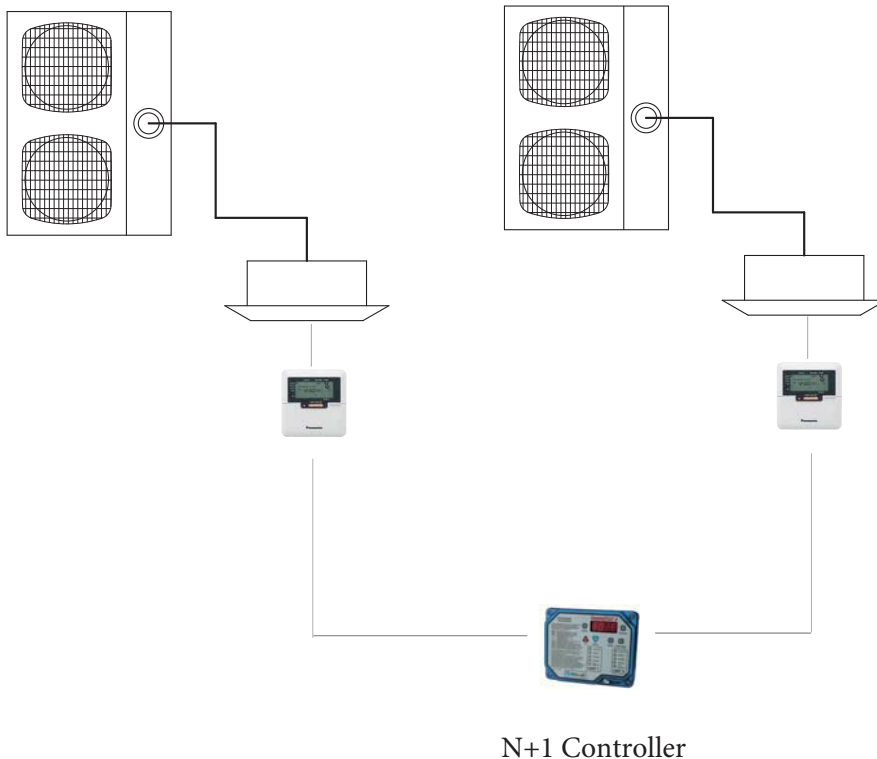


OPERATION SYSTEM	INDIVIDUAL CONTROL SYSTEMS
Requirements	
External appearance	
Type, model name	Remote Controller (Wired) CZ-RD515U1

Small Scale Bacnet® BMS Interfaces (cost effective integration solution for small applications)



N+1 Redudancy Controller



Panasonic

ideas for life

minus 40 **EXTREME**
LOW AMBIENT COOLING

Distributed by:

Tel: 905-669-1777 Fa : 905-669-1277

214 Arden Dr. Unit 5, Vaughan, ON L4K 1 8, Canada

www.multihvac.ca



Use of the AHRI Certified™ mark indicates a manufacturer's participation in the certification program. For verification of certification for individual products, go to www.ahridirectory.org



Quality Management System Certificate



Certified to ISO 9001:2008
Cert. No.: MY-AR 1010

Certified to ISO 9001: 2008

Panasonic HA Air-Conditioning (M) Sdn.Bhd.
Cert. No.: MY-AR 1010

Environmental Management System Certificate



Certified to ISO 14001:2004
Cert. No.: MY-ER 0112

Certified to ISO 14001: 2004

Panasonic HA Air-Conditioning (M) Sdn.Bhd.
Cert. No.: MY-ER 0112



Serving the US Ductless market since 1983

Panasonic®

Panasonic Corporation of North America
Air Conditioning Group
1690 Roberts Blvd., NW, Suite 110, Kennesaw, GA 30144
WWW.PANASONIC.COM/AIRCON

Panasonic Canada Inc.
Enterprise Product Sales
5770 Ambler Dr., Mississauga, ON, L4W 2T3 CANADA
www.panasonic.ca

Because its products are subject to continuous improvements, Panasonic reserves the right to modify product design and specifications without notice and without incurring any obligations.
©Copyright 2014, Panasonic Air Conditioning Products.



Do not add or replace refrigerant other than the specified type. Manufacturer is not responsible for the damage and deterioration in safety due to usage of other refrigerant.

July 2014